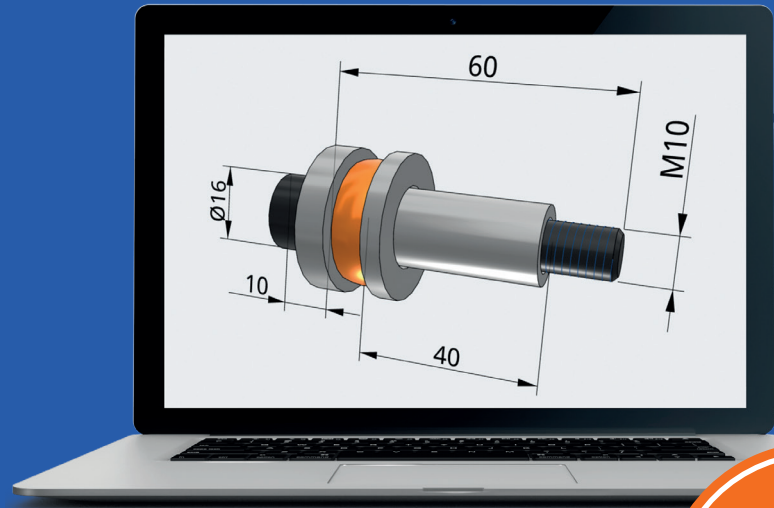


INTER- ACTIVE PRODUCT CONFIGURATOR



To the IPC:



FIBRO STANDARD PARTS DESIGN SUPPORT

THE CONSTRUCTION AND LAYOUT OF COMPONENTS FOR PRODUCTION REQUIRE A LOT OF TIME AND EXPERTISE. BOTH ARE LIMITED AND COSTLY RESSOURCES..

To provide you with our expert knowledge in the user-specific selection of our products we have developed the **FIBRO 3D Interactive Product Configurator** in cooperation with CADENAS.

So far, the configurator includes our entire portfolio of punches and bushings as well as guide elements, gas springs, and enables the individual selection of product-specific parameters. Combinations that are not possible are excluded from the start – meaning incorrect order specifications are avoided. Thus, you receive a ready-to-order solution whose CAD data is also directly available as a download.



INCREASED
PRODUCTIVITY



IMPROVED
QUALITY



OPTIMIZED USE OF
RESOURCES