

QUICKSTART WPM GATEWAY, IOT 2480.00.91.42



WPM GATEWAY, IOT 2480.00.91.42

SETUP GUIDE

INTRODUCTION

This document describes the initial commissioning process and cabling for the FIBRO WPM Gateway.

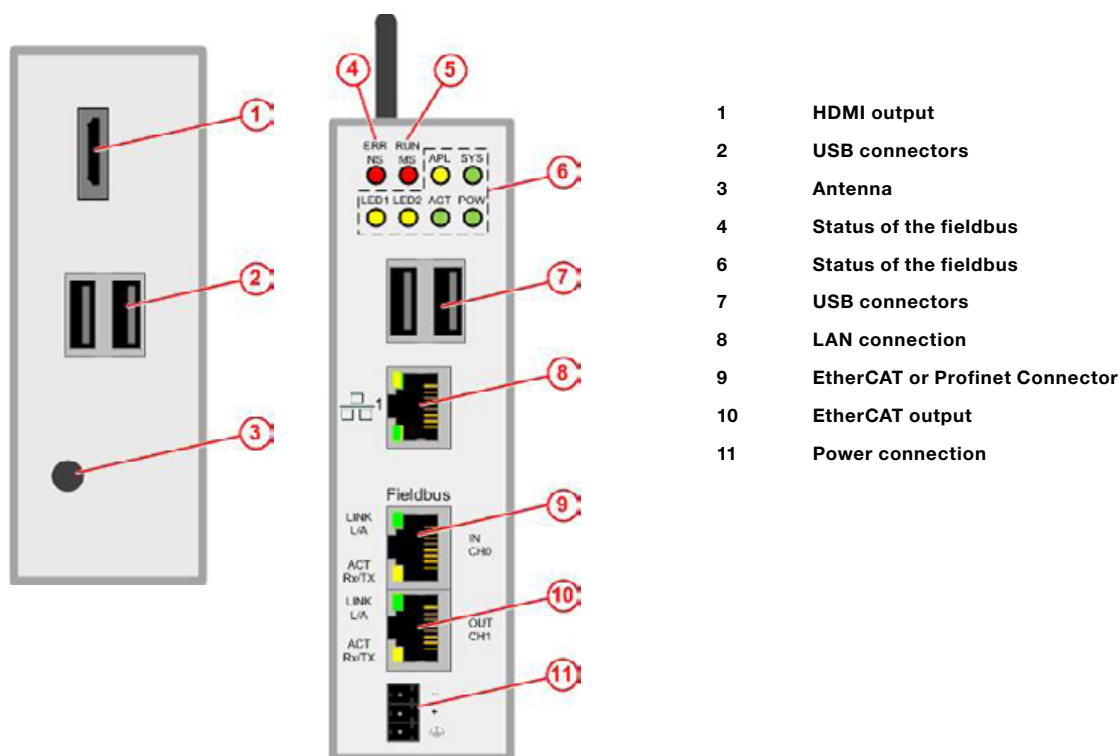
The gateway is based on the Hilscher netFIELD Connect Gateway. Technical details on the gateway can be found in the following instructions:

https://www.hilscher.com/fileadmin/cms_upload/de/Resources/pdf/Edge_Gateway_NIOT-E-TPI51-EN-RE_UM_07_DE.pdf



All necessary steps for commissioning the FIBRO Gateway are described in the steps below.

CONNECTIONS



WPM GATEWAY, IOT 2480.00.91.42

SETUP GUIDE

POWER SUPPLY

The gateway must be supplied using a suitable 24V power pack.

DC24 V	PIN	Signal
	-	Mass
	+	+24V DC
		Functional earthing

SWITCHING OUTPUTS/INPUTS

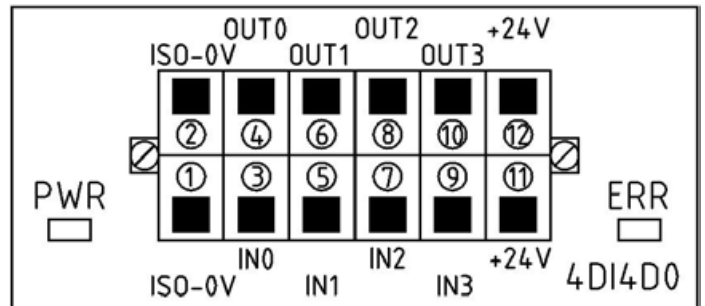
The gateway has digital outputs for connecting other components such as warning lights, for example. The precise function of the outputs can be found in the instructions on the gateway web interface. This Quick-Start Guide describes the electrical connection of the inputs/outputs.

The connections for the inputs/outputs are located on the connector on the bottom side of the gateway.

PIN	Marking	Function
1	ISO-0V	Reference potential external power supply (isolated)
2	ISO-0V	Reference potential external power supply (isolated)
3	IN0	Keyswitch (Initiates the pairing process with the data part) when engaged
4	OUT0	Green – Data holder connected and no warnings or errors on any sensors
5	IN1	
6	OUT1	Yellow – Data holder connected – Warning present on one or more sensors
7	IN2	
8	OUT2	Red – Data holder connected – Error present on one or more sensors
9	IN3	
10	OUT3	Blue – Flashes with ongoing coupling process/lit continuously upon successful connection
11	+24V	+24V external power supply
12	+24V	+24V external power supply



On the gateway is the following label with the connection plan:



WPM GATEWAY, IOT 2480.00.91.42

SETUP GUIDE

INITIAL COMMISSIONING

Follow these steps to put the gateway into operation for the first time and use the WPM application.

In the first step you configure the PC for commissioning on a fixed IP address, e.g. 10.10.10.100 to be able to access the gateway.

Control Panel Home

- System and Security
- **Network and Internet**
- Hardware and Sound
- Programs
- User Accounts
- Appearance and Personalisation
- Clock and Region
- Ease of Access

Best match

- Control Panel**
App

Apps

- System Configuration >
- System Information >

Search work and web

- sy - See work and web results >

Settings (3+)

Documents - This PC (7+)

Network and Sharing Centre
View network status and tasks | Connect to a network
View network computers and devices

Internet Options
Change your homepage | Manage browser add-ons | Delete browsing history and cookies

Network and Sharing Centre

View your basic network information and set up connections

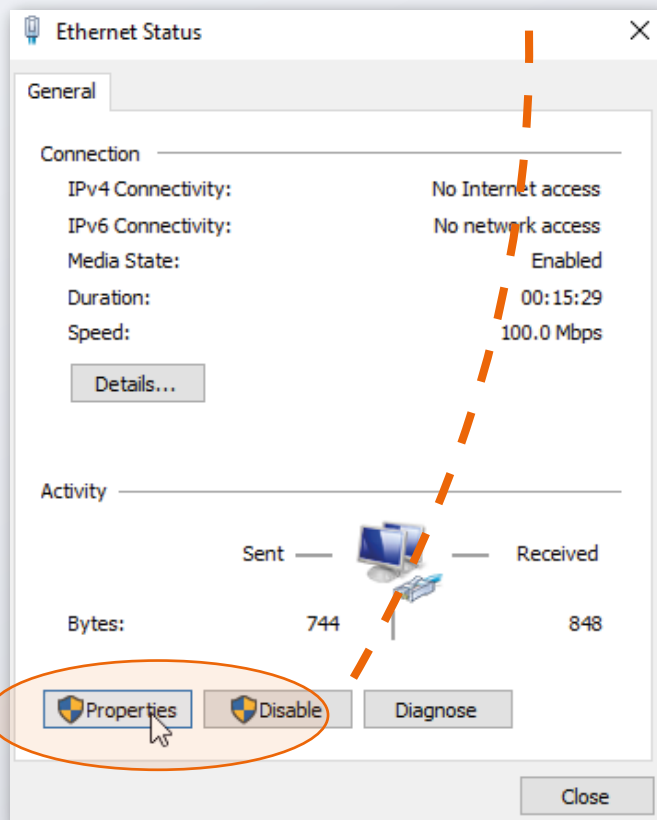
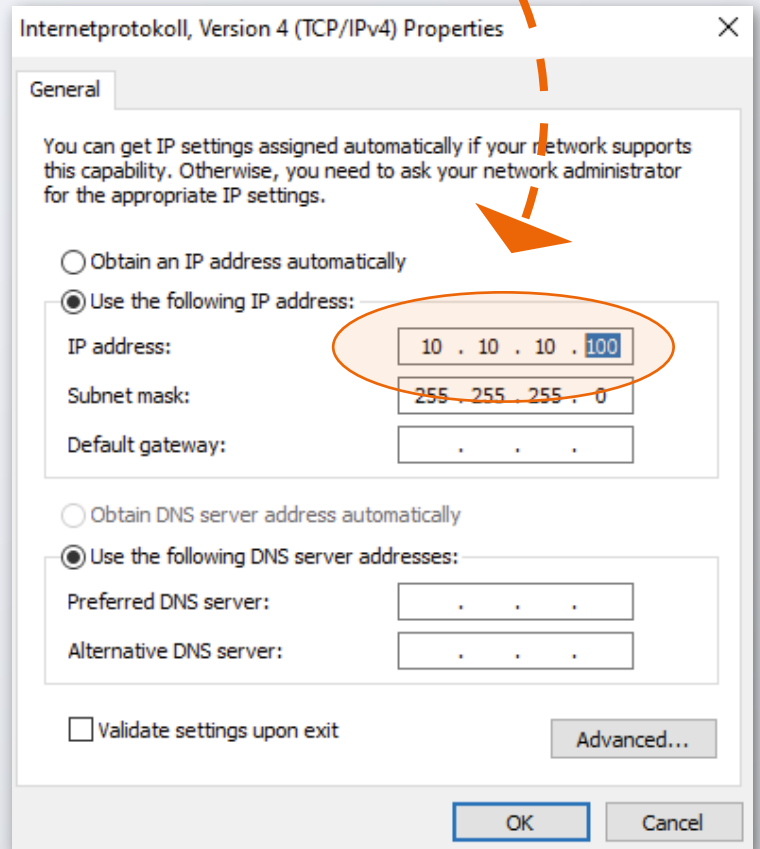
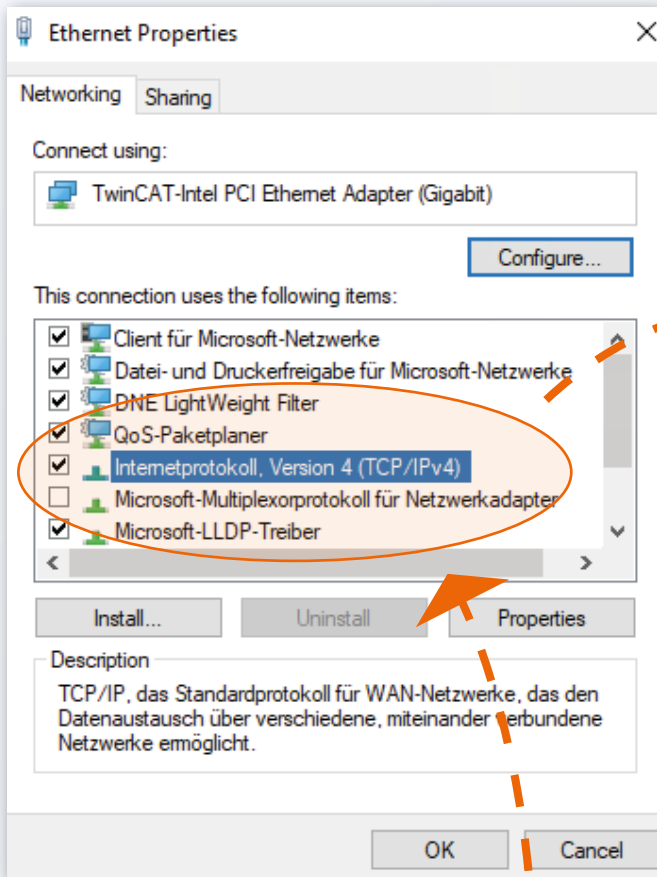
View your active networks

Network Name	Network Type	Access type	Connections
laepple.ag	Domain network	Internet	Ethernet 4
Nicht identifiziertes Netzwerk	Public network	No Internet access	Ethernet

Change your networking settings

- Set up a new connection or network
Set up a broadband, dial-up or VPN connection, or set up a router or access point.
- Troubleshoot problems
Diagnose and repair network problems or get troubleshooting information.

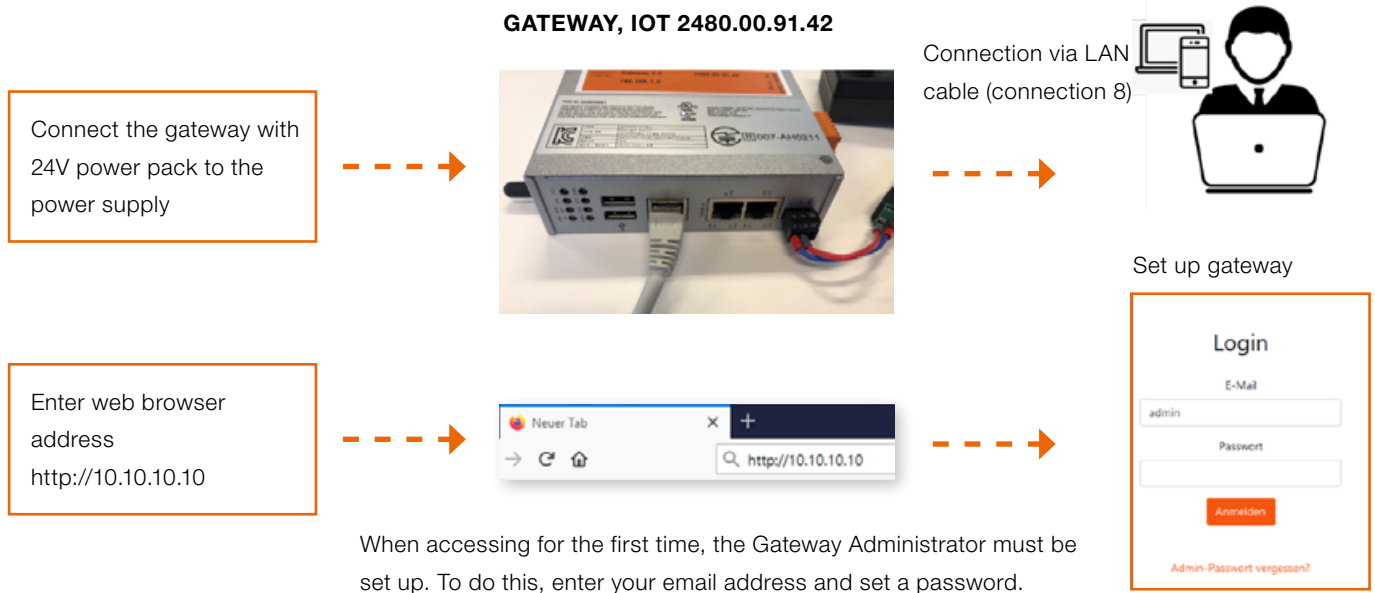
WPM GATEWAY, IOT 2480.00.91.42 SETUP GUIDE



WPM GATEWAY, IOT 2480.00.91.42

SETUP GUIDE

After your PC has been prepared, you can put the gateway into operation.



You can now work with the WPM system immediately.

With your Gateway Administrator Account you can then set up other users with different rights on the gateway's web interface.

After you have logged into the web interface, the WPM system will be available to you. Your WPM devices (sensors and data holders) that are within range of the WPM Gateway should then be visible.

To enable the full range of functions, a WPM gateway license must be applied for under the "Administration" menu option.

Detailed information on the functionalities of the WPM system can be found in the instructions given in the web interface.

Please note that the gateway must be set to the correct time so that the recorded data can also be used appropriately. This must be carried out manually (see section below).

WPM GATEWAY, IOT 2480.00.91.42

SETUP GUIDE

SETTING THE TIME

If the WPM Gateway is not connected to the internet or cannot obtain the time via NTP, it must be ensured that the correct time is set. To do this, the corresponding setting can be made on the admin panel on the system side in the "System Time" row.

The admin panel is accessed in your browser at the following address:

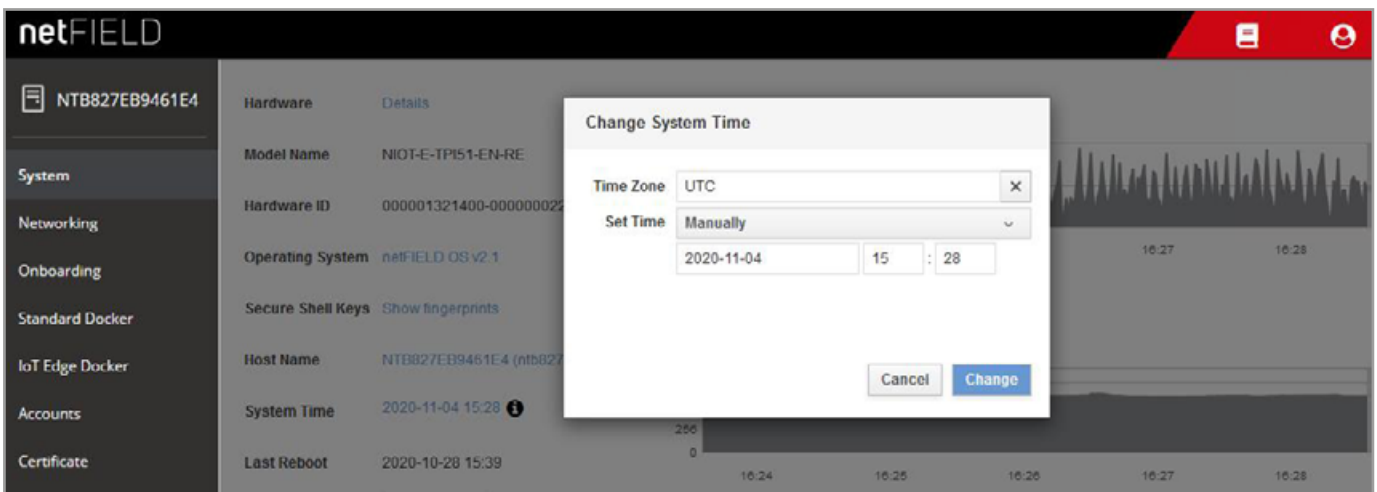
`http://10.10.10.10:8080`

Log on with the following login data:

User: admin
Password: wpmg8way

You will be prompted to change this access data.

The time setting can be found in the "System" menu.



Clock-Settings

WPM GATEWAY, IOT 2480.00.91.42

SETUP GUIDE

NETWORK CONNECTION

To configure the gateway for your company network or to change the IP settings, you can log into the admin panel using your browser:

`http://10.10.10.10:8080`

When opening the admin panel for the first time, you can log in using the following login data:

User: admin
Password: wpmg8way

You will then be prompted to change the password.

On the networking side that you can access via the side menu, the network interface eth0 can be configured.

The screenshot displays the netFIELD web interface. On the left is a dark sidebar menu with the following items: System, Networking (highlighted), Onboarding, Standard Docker, IoT Edge Docker, Accounts, Certificate, General Settings, Terminal, Operating System Update, and Logs. The main content area shows two line graphs for 'Mbps Sending' and 'Mbps Receiving' over a time period from 16:19 to 16:23. Below the graphs is a 'Firewall' section with a toggle switch set to 'on' and '0 Active Zones'. The 'Interfaces' section includes buttons for 'Add Bond', 'Add Team', 'Add Bridge', and 'Add VLAN', and a table with the following data:

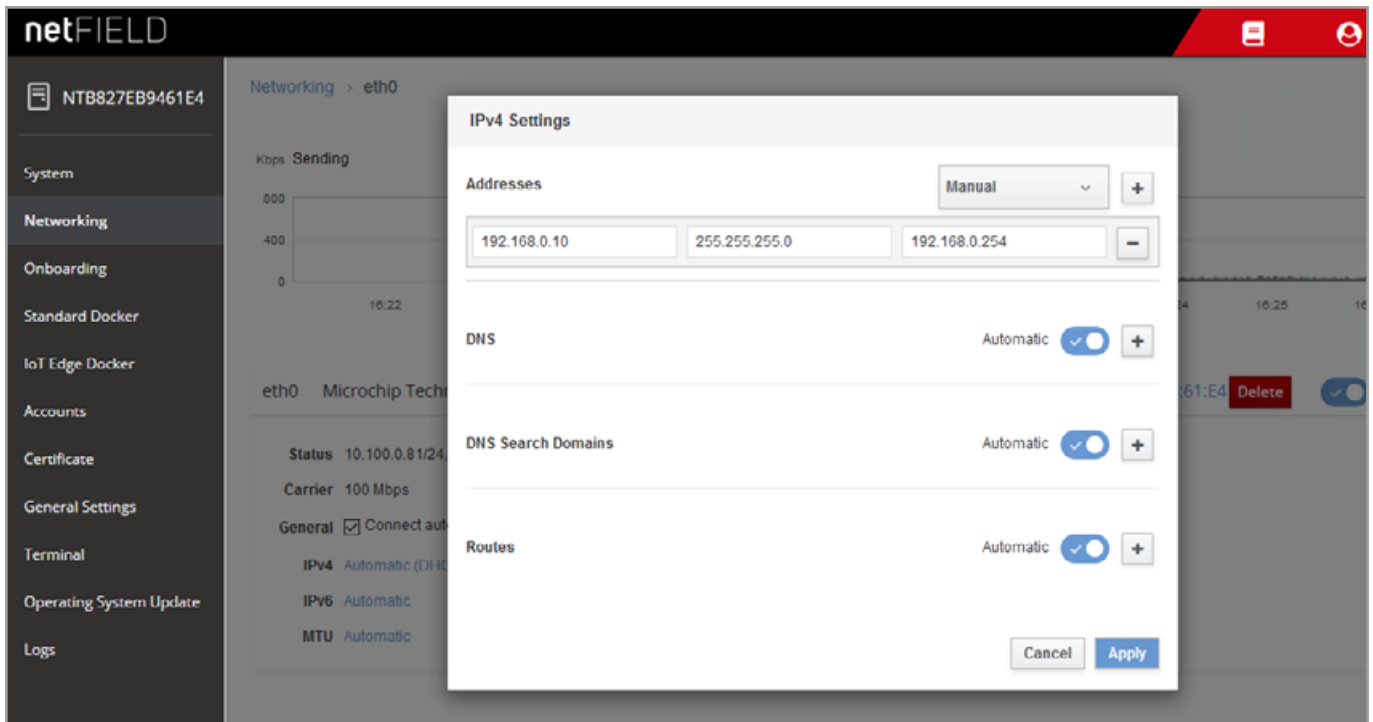
Name	IP Address	Sending	Receiving
br-aa490fe6dc2e	93.183.0.254/16	288 Kbps	206 Kbps
eth0	10.100.0.81/24, 2a00:79c0:105:401:716e:6ec:adbb:5673/64	194 Kbps	14.8 Kbps
wlan0		Inactive	

Networking-Page

WPM GATEWAY, IOT 2480.00.91.42

SETUP GUIDE

Here for IPv4 and IPv6 you can specify your desired IP addresses or let the WPM Gateway obtain an IP address from your network via DHCP.



IPv4-Settings

After that, the gateway can be disconnected from the computer and connected to your infrastructure.

Users should be able to access the application's web interface later on the network via port 443. For this reason, ensure that the gateway is accessible for the users on the local network.



WPM GATEWAY, IOT 2480.00.91.42 **SETUP GUIDE**

WPM GATEWAY, IOT 2480.00.91.42

SETUP GUIDE



90°

FIBRO GMBH

Business Unit Standard Parts
August-Läpple-Weg
74855 Hassmersheim
GERMANY
T +49 6266 73-0
info@fibro.de
www.fibro.com

THE LÄPPLE GROUP

LÄPPLE AUTOMOTIVE
FIBRO
FIBRO LÄPPLE TECHNOLOGY
LÄPPLE AUS- UND WEITERBILDUNG

07/21 Order No. 2.7550.00.1220.0100000