

## Contact

Company	Contact	Date
Street	E-mail	Request- No.
Location	Phone	Requested delivery date

---

<b>Working Position</b>	<b>Angle in°</b>	<b>Direction of rotation</b>	<b>Indexing accuracy</b>
<b>Swing circle diameter</b> in mm		<b>Drive arrangement</b>	<b>Paint RAL</b>
<b>Mass moment of inertia (MTM)</b> J in kgm <sup>2</sup>		<b>Indexing time</b> in s	<b>Transported load</b> in kg

---

**Additional options**  
(mounting Rotary table)

**Additional modules**  
(mounting constructions)

**Additional accessories**  
(increased technical data)

**Additional accessories**

additional table top  
stationary upper table top  
customer drilling pattern

---

**Drive motor**

**Electrical control**

---

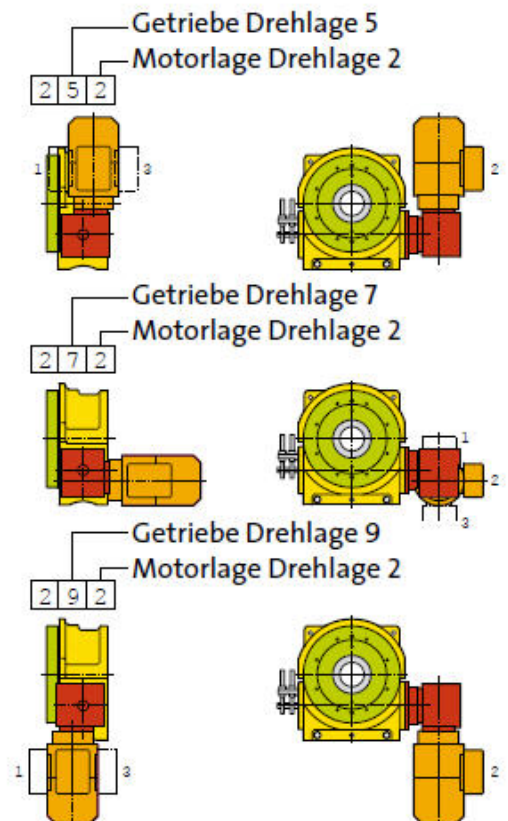
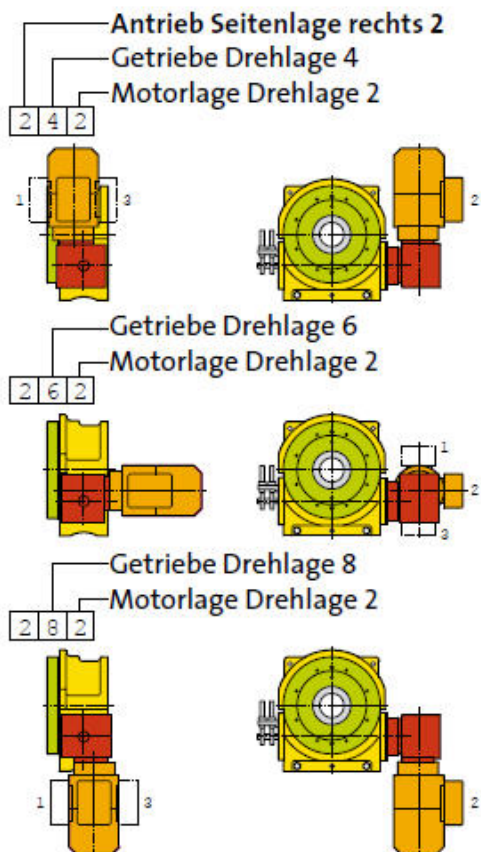
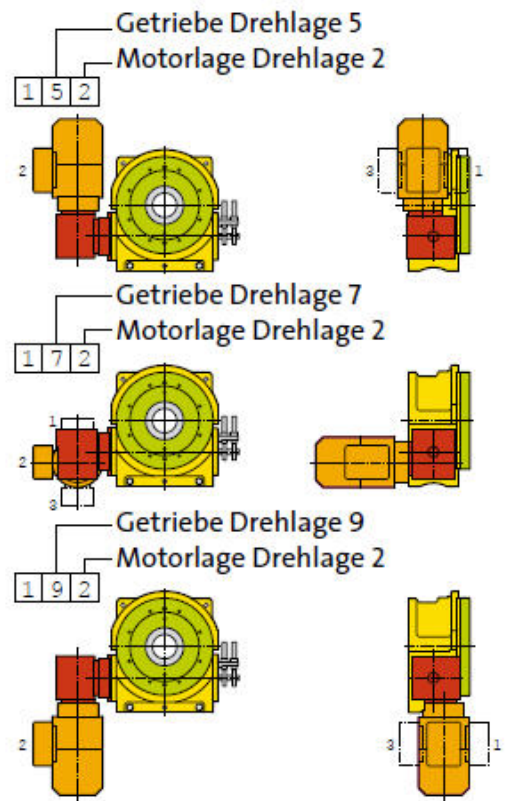
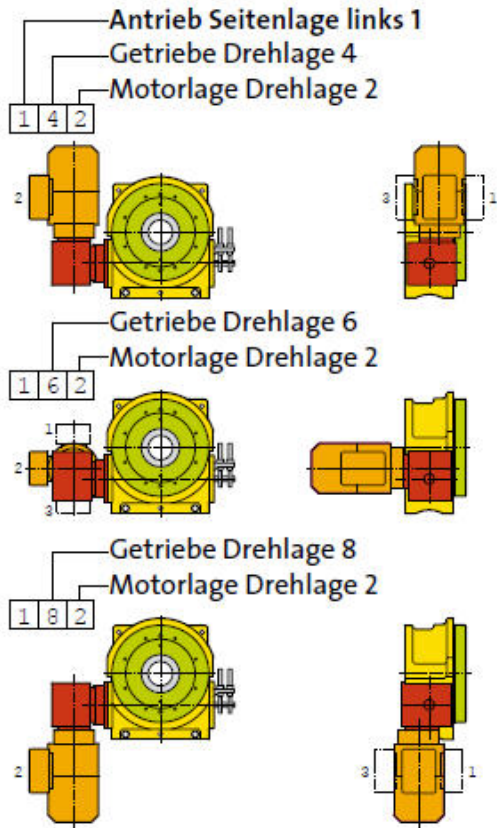
**Additional information**

**Website FIBRO**

data sheets  
download

# Drive arrangements

EM.NC.10



# Drive arrangements

EM.NC.11, EM.NC.12, EM.NC.13, EM.NC.15, EM.NC.16, EM.NC.17, EM.NC.18

