

Contact

Company	Contact	Date
Street	E-mail	Request- No.
Location	Phone	Requested delivery date

Working position	Division	Direction of rotation	Indexing accuracy
Swing circle diameter in mm		Drive arrangement	Paint RAL
Mass moment of inertia (MTM) J in kgm ²		Indexing time in s	Transported load in kg

Additional options
(mounting Rotary table)

Additional modules
(mounting constructions)

Additional accessories
(increased technical data)

Additional accessories

- additional table top
- stationary upper table top
- customer drilling pattern

Additional options

- safety limit switches
- position detection

Drive motor	Protection class	Frequency
Electrical control	Brake voltage V	Motor voltage V

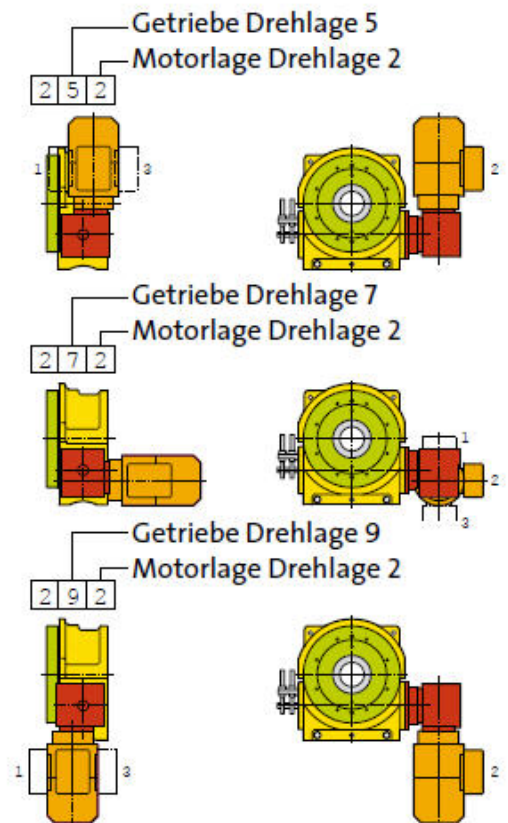
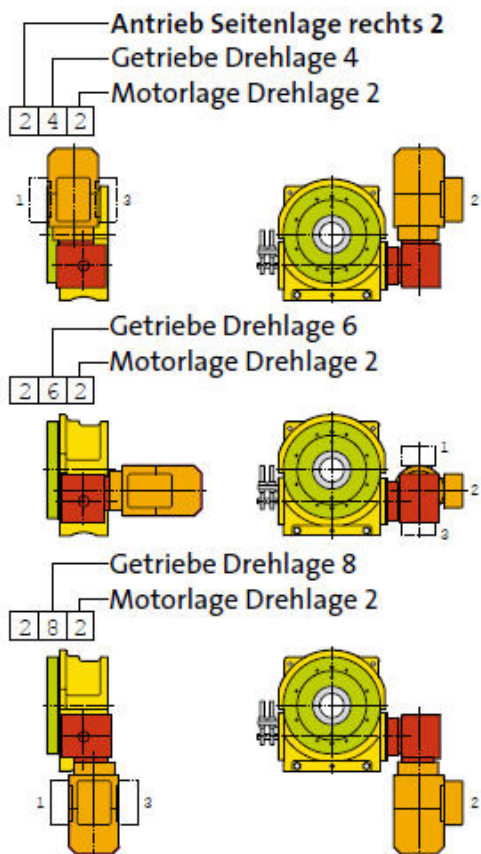
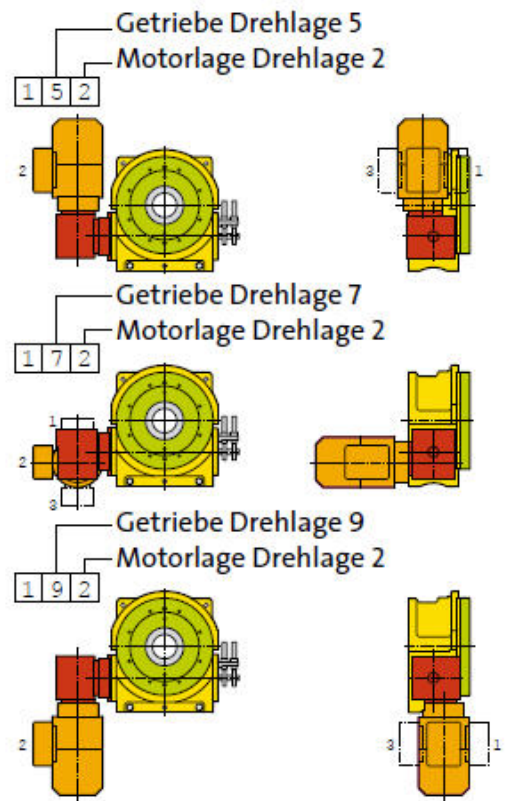
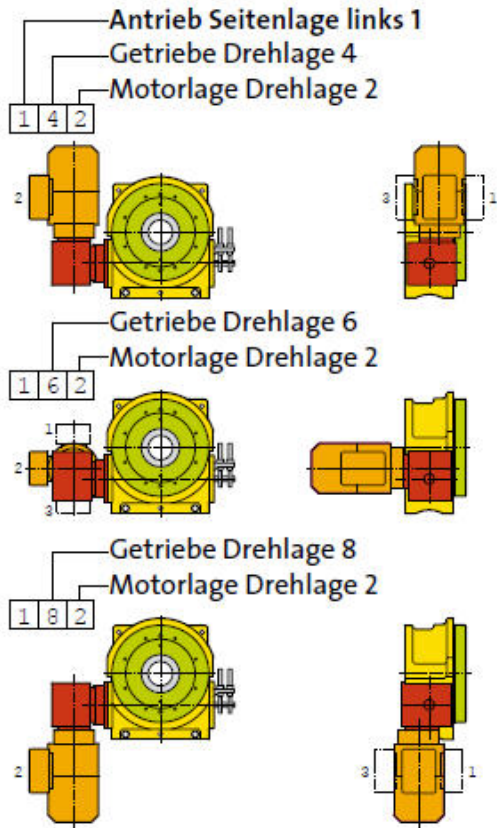
Additional information

Website FIBRO

data sheets
download

Drive arrangements

EM.10, EM.12, EM.13



Drive arrangements

EM.11, EM.13, EM.15, EM.16, EM.17, EM.18

